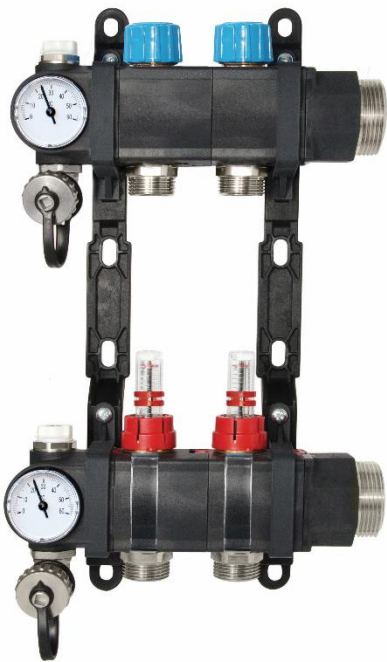


MODULAR PLASTIC MANIFOLD

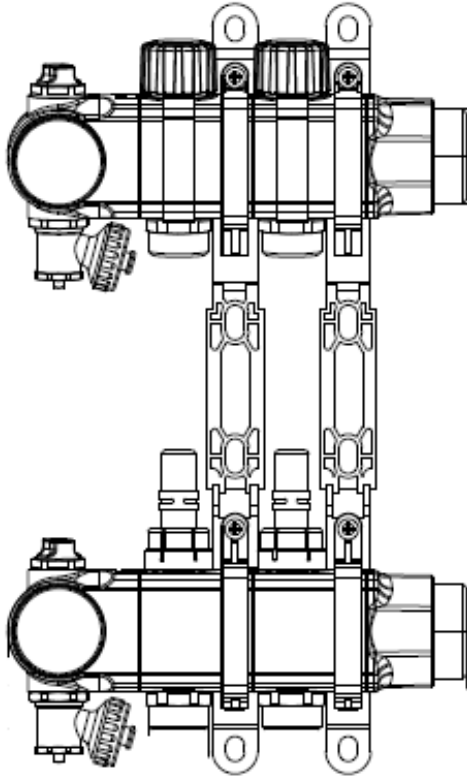
APPLICATION: designed for heating/cooling air conditioning installations. Specially indicated for **RADIANT-REFRIGERANT FLOORING**.



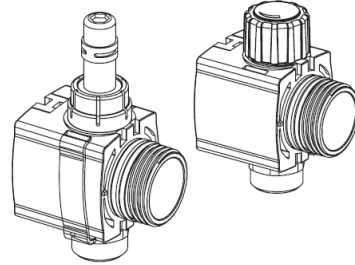
- Manufactured in **reinforced polyamide with integrated self-insulating chambers**
- Body size 1 1/4 "with capacity to connect up to **15 circuits**
- Flowmeters in impulsion: **0-5 liters / min per circuit**
- Couplings for return electrothermal actuators / heads with **AFC technology (micrometric flow regulator)**
- Temperature range: **10-75°C**
Maximum pressure (continuous work): 6bar
- Includes in drive and return: thermometer 0-60°C, traps and drain / fill valves 3/4 "

Reference	Description	Length máx. (mm)	Height máx. (mm)	Depth máx. (mm)	Uds./box
422.122	Modular Kit Collector 2 + 2 Air AIS	153	340	80	1
422.111	Basic module for modular collector 1 + 1 Air AIS	50	140	53	1
421.114.100	Ball Wrench Set for 1-1 / 4 "H - 1" H Modular Collector Red and Blue	60	65	50	1

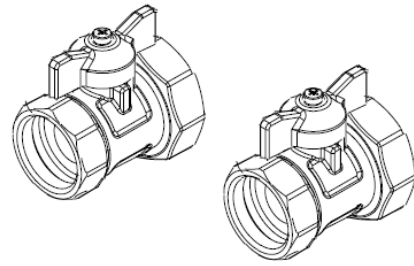
Ref. 422.122



Ref. 422.111



Ref. 422.114100



Connection to main pipe with 1-1 / 4 "M outlet

*Adjustable to 1 "H thread using the set wrench set for 1-1 / 4" H - 1 "H modular manifold
(Ref. 421.114100)*

Connection to circuits by means of 3/4 "eurocone adapters

with 50mm gap.

ASSEMBLY:

See annex of assembly instructions

DIMENSIONS according to circuits:

